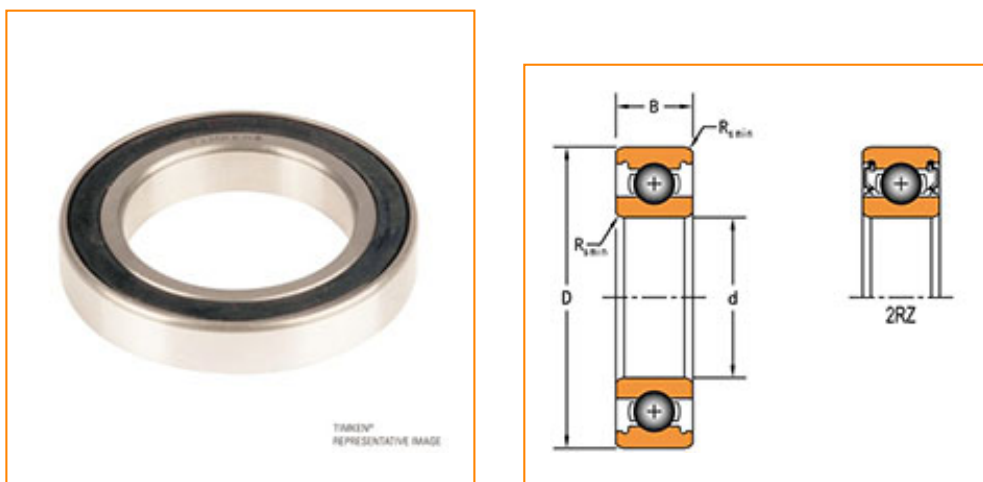


Home > Products & Services > Bearings > Product List > All Product Types > ENGINEERED BEARINGS > Ball Bearings > Deep Groove Ball Bearings > Thin Section Ball Bearings (61700, 61800, 61900) > Part Number 61812-2RZ

Part Number 61812-2RZ, Thin Section Ball Bearings (61700, 61800, 61900)

Timken's deep groove ball bearings deliver reliable performance in a wide range of applications and conditions. With super-finished raceways and controlled geometries, our premium design helps ensure consistent quality.



[Specifications](#) | [Dimensions](#) | [Basic Load Ratings](#) | [Factors](#)

Specifications

Clearance	C0 (Normal)
Bore Size d	60.000 mm
Features	Non-Contact Seals
Weight	0.094 Kg

Dimensions

Outside Diameter D	78.000 mm
Outside Ring Width B	10.000 mm
Minimum Fillet Radius Rs min	0.300 mm



Basic Load Ratings

Cr - Dynamic Load Rating	11.5 kN
C0r - Static Load Rating	10.6 kN

Factors

Grease Limiting Speed	7900 rpm
Oil Limiting Speed	9400 rpm

